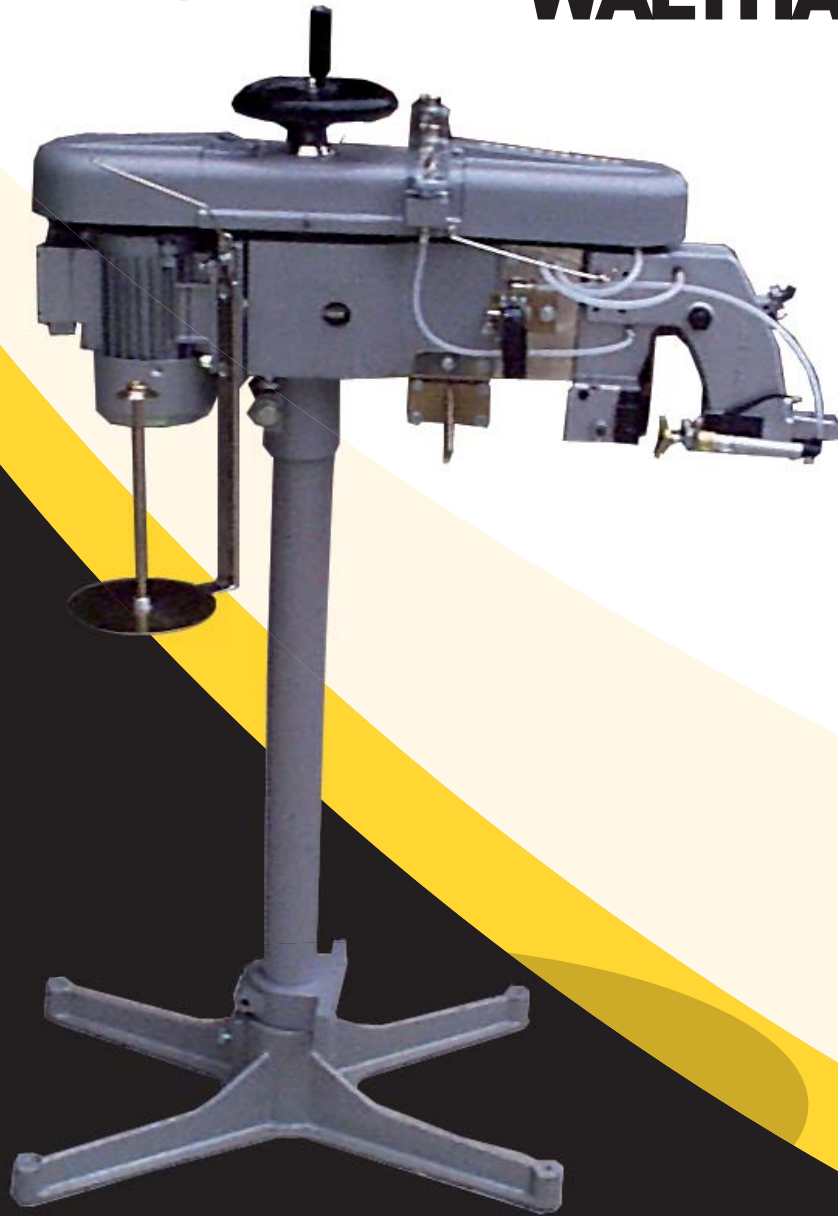




**WALTHAMBURY®**



# **NP7 FHS**

**FIXED HEAD SACK CLOSER**

# NP7 FHS

## FIXED HEAD SACK CLOSER

Based on the well proven and durable Newlong NP7A sewing head, the Walthambury Fixed Head Stitcher provides a high speed, cost effective solution for closing paper, plastic and net bags.

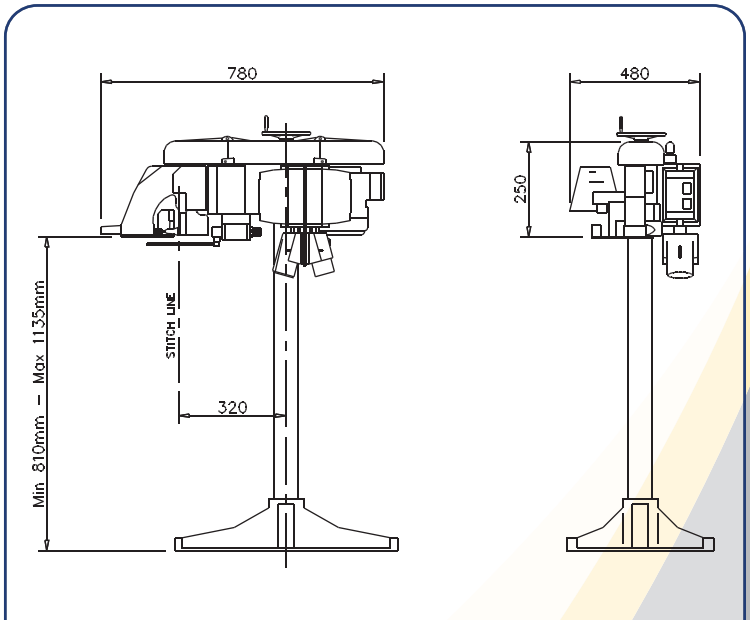
- Integral oil lubrication system.
- Automatic stitch start/stop and pneumatic thread cut off ensuring economic thread usage.
- Suitable for Kraft paper, cotton, hessian, jute, woven cloth, plastic and other bag materials.
- Plug and socket for conveyor supply together with foot switch for conveyor/ stitcher stop restart.
- Precise sewing head/conveyor speed synchronisation by an adjustable pulley between sewing head and motor.
- High quality cast alloy construction for heavy duty use.
- 370 watt motor for high speed effortless stitching.
- Fully compatible with Morray 850 or 855 stitcher automator.
- Single thread chain stitch gives secure closure without added complications of twin thread machines.
- Spare needles, tool kit, mains plug and comprehensive instruction manual and parts list included.

### Optional Extras

- Mechanically operated thread cut off.
- 10kg cotton cone holder.
- Wide range of conveyors.

### After Sales Service

Fast on site service by factory trained engineers coupled with extensive stocks of competitively priced spare parts guarantees maximum productivity and protects the customer's investment.



### TECHNICAL SPECIFICATIONS

#### Speed

35-40ft/minute (5-8 secs/bag)

#### Air Requirements

A cool dry air supply, 5.5bar (3cfm/85 ltr/min @ 80psi)

#### Electrical Requirement

370w 220/240V AC 1ph  
370w 380/440v AC 3ph  
with overload protection

#### Stitch length and Needle

8.5mm (3 per inch) fixed with DNX1- #25 needle



#### Walthambury

New Walthambury House,  
Anglia Way, Braintree,  
Essex, CM7 3RG, UK.  
Tel: +44 (0)1376 322722  
Fax: +44 (0)1376 323277  
E-Mail: sales@morray.com  
www.walthambury.com